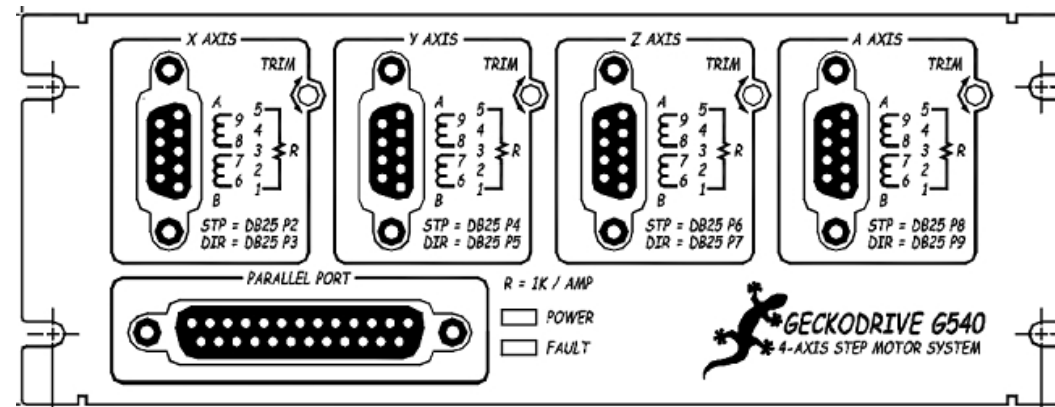
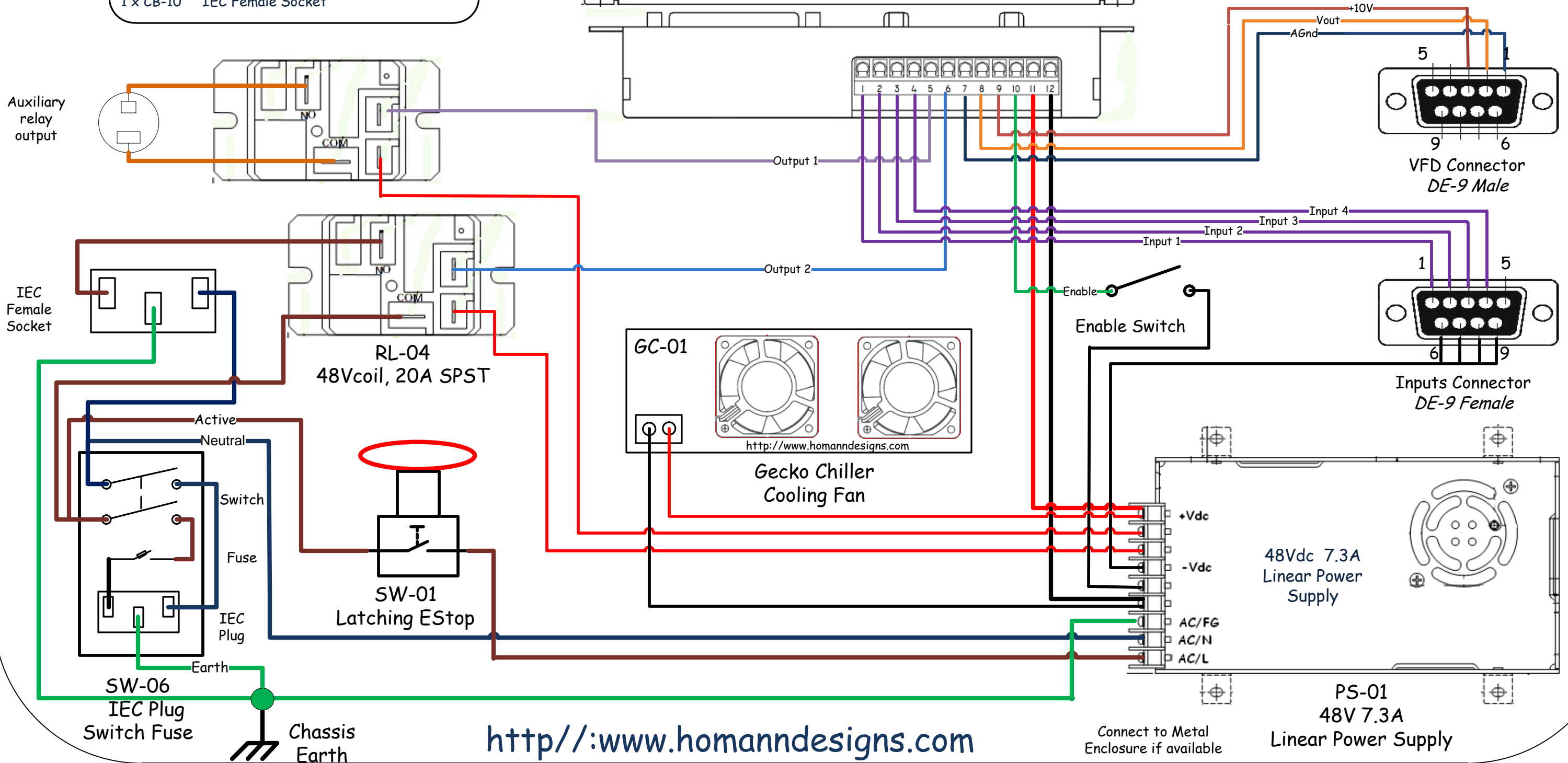


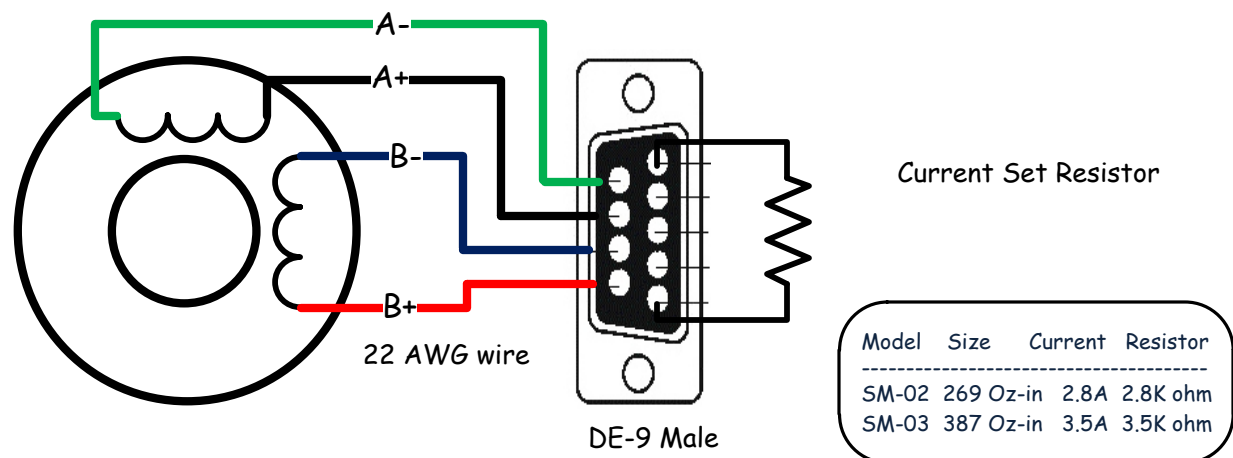
Homann Designs Parts Used

- 1 x G540 GeckoDrive 4-Axis Stepper drive
- 3 X SM-03 387 Oz-in Stepper Motors
- 1 x PS-01 48V 7.3A linear Power Supply
- 1 x GC-01 Gecko Chiller cooling fan
- 2 x RL-04 48V coil, 20A SPST Relays (with diodes)
- 1 x SW-01 Latching Estop Switch
- 1 x SW-06 IEC Plug/Switch/Fuse
- 1 x CB-10 IEC Female Socket

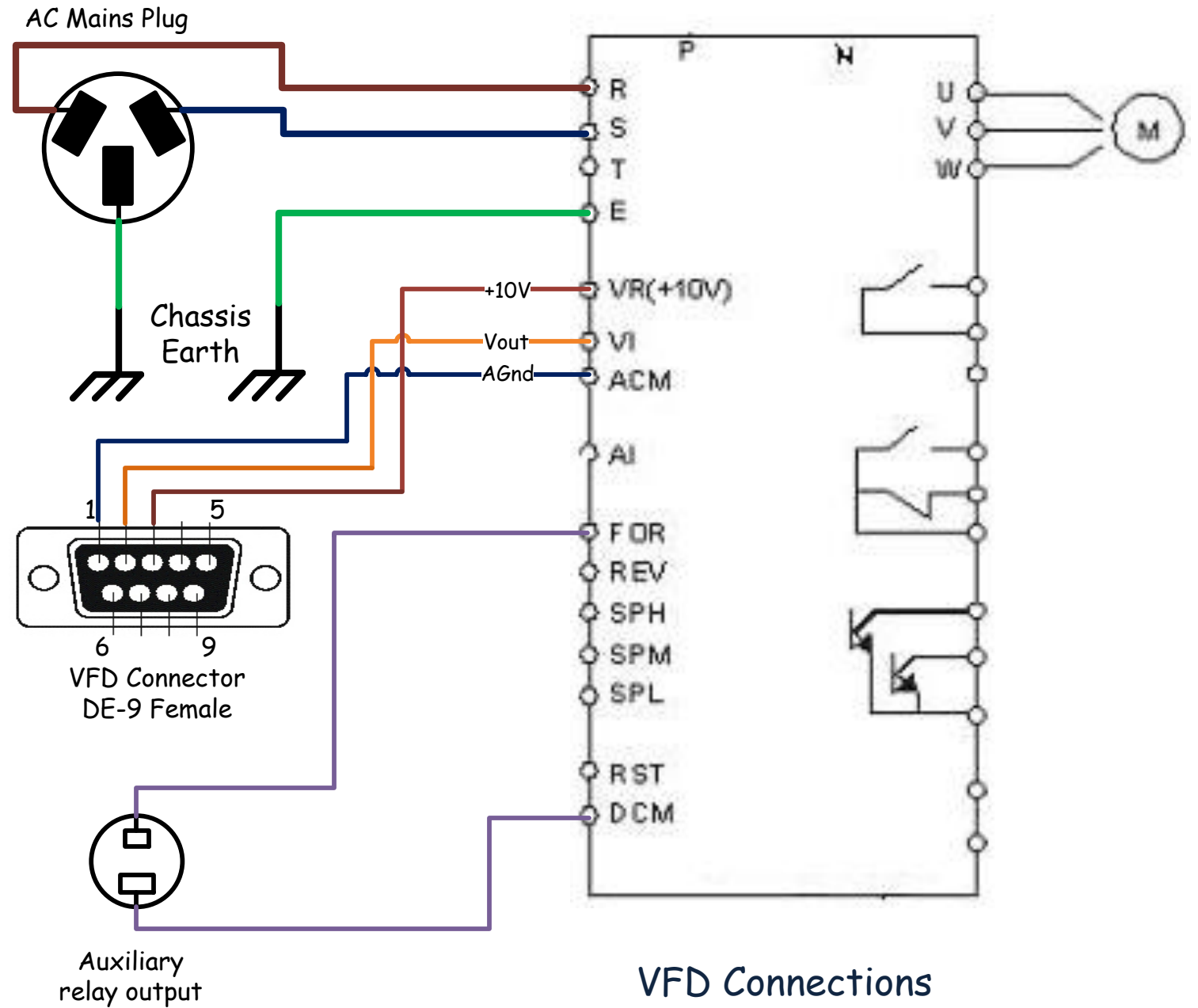


G540 GeckoDrive™ 4-Axis Stepper Drive System

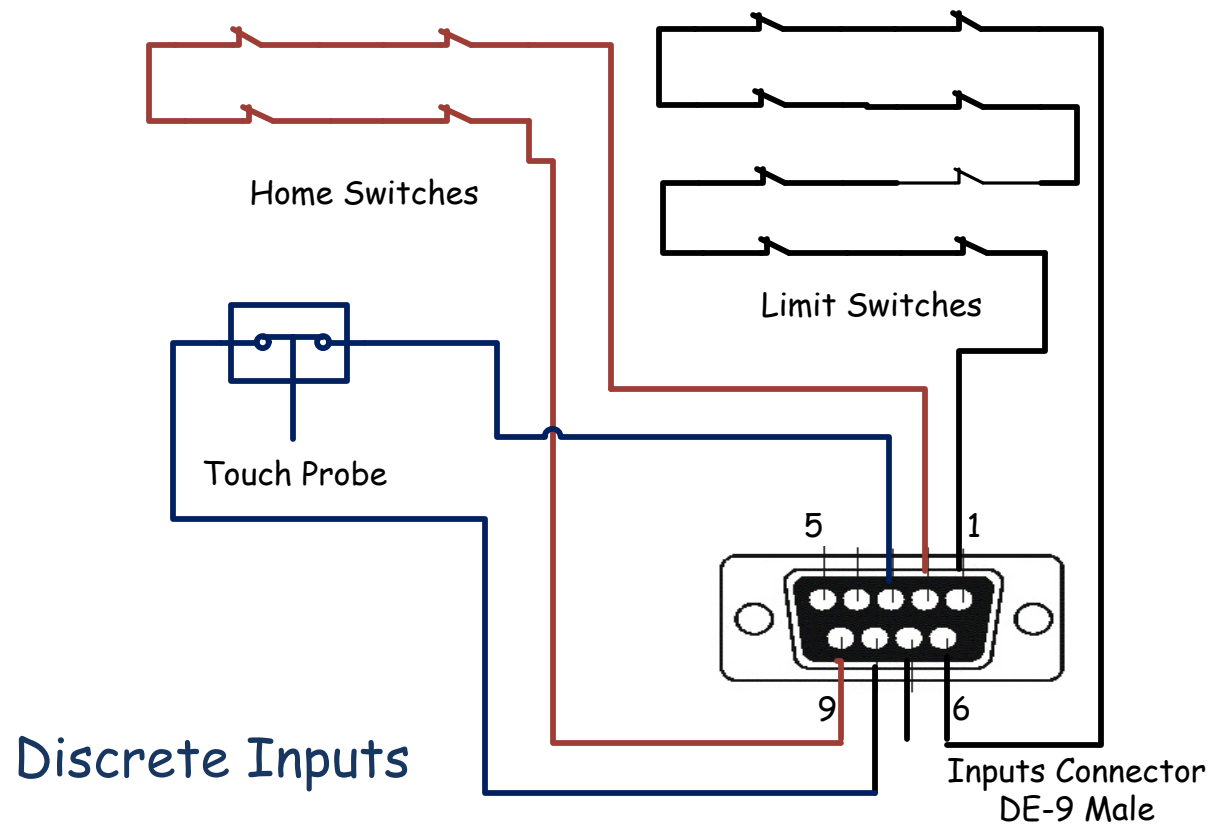




Stepper Motor Wiring



VFD Connections



Discrete Inputs